



www.barkbusters.net

FITTING INSTRUCTIONS for... Handlebar Clamp Kit (Straight 22mm)

Installation for Right Side.

Repeat for left side with applicable parts.

Loosely assemble the clamp to the handlebar as per diagram.

Attach the handguard backbone with applicable parts to the handlebar end and also to the clamp connector (3).

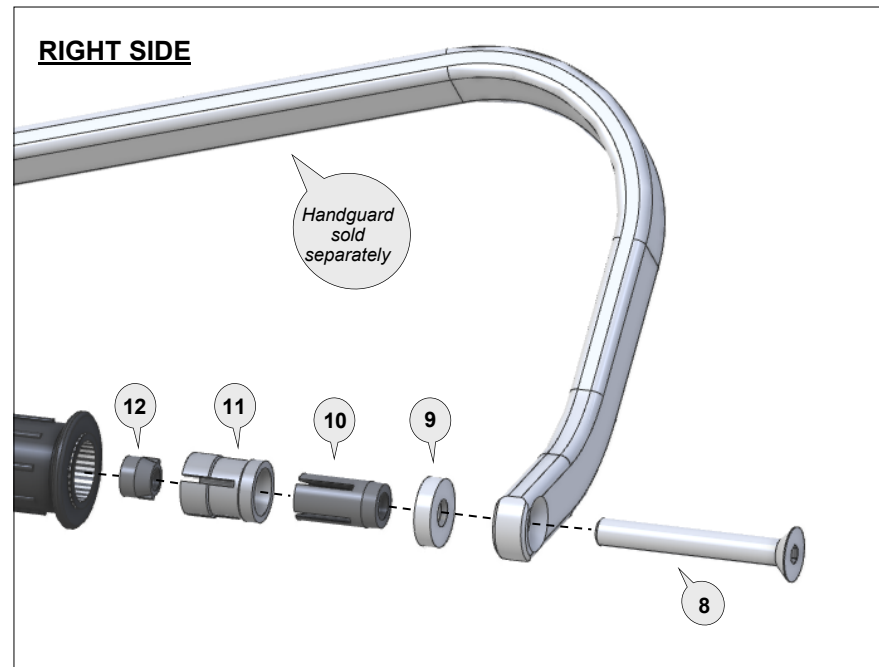
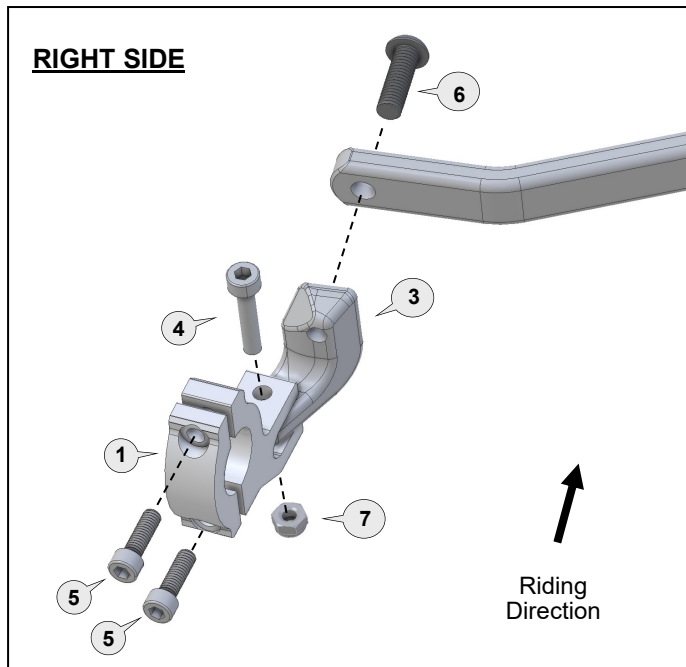
Position backbone so it is horizontal when viewed from the side and tighten all bolts in the following order: (8), (6), (5) then (4).

Note:


Most handlebars will require left clamp connector (2) on left side.
Some other handlebars will require right connector (3) on left side.

Important:

Use the specified torque setting over page.




1 Multi Fit Clamp LEFT



PN: MFC-22
Pcs. 2 set

2 Clamp Connector LEFT



PN: CP8-L
Pcs. 1

3 Clamp Connector RIGHT




PN: CP8-R
Pcs. 1

4 Socket Head Bolt 30mm



PN: M6x30SHCSZP
Pcs. 2

5 Socket Head Bolt 20mm



PN: M6x20SHCSZP
Pcs. 4

6 Button Head Bolt 25mm



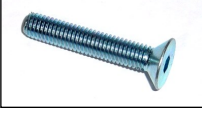
PN: M8x25BHCSZP
Pcs. 2

7 Nylock Nut 6mm



PN: M6LN
Pcs. 2

8 Flat Head Bolt



PN: M8x45FHCSZP
Pcs. 2

9 Collar



PN: BBEC5M
Pcs. 2

10 Expander



PN: BBE14A
Pcs. 2

11 Collet



PN: COLLET14-18
Pcs. 2 set

12 Taper Nut



PN: NUT12
Pcs. 2

Recommended Torque Settings	
M6	10 Nm (7.4 lbf ft)
M8	20 Nm (14.8 lbf ft)

CAUTION:

Installation of the handguard is safety-relevant work and can be complicated. We recommend the installation be performed by a motorcycle service technician. Rideworx accepts no liability for damages caused by improper mounting. All screws, bolts and nuts, including all replacement hardware provided by Rideworx, should be tightened to the torque specified in the below table. After the first 50km of riding check all screws, bolts and nuts are tightened to the correct torque. We recommend a medium strength liquid thread lock product on all fasteners.

WARNING:

It is important there is a working clearance (approx 3mm) between the throttle grip end and the handguard to ensure a free closing throttle. Check operation of all handlebar controls, specifically the throttle, front brake, kill switch and clutch to ensure they are operating correctly and are in accordance with the OEM specifications. Do not ride the motorcycle if any controls are not operating correctly. Check periodically that all bolts are tight.

Disclaimer:

A failure to follow these fitting instructions could cause serious injury, death or property damage. These handguards are intended solely for use with motorcycles/ATV/snowmobiles/scooters that have not been modified. They are not designed to prevent injury or death while riding or in an accident or crash. The user must ensure that all controls are free of the handguards every time that they ride. By installing and/or using this product you acknowledge that you accept these terms and have followed the fitting instructions.



Phone: +61 (0)2 4271 8244
Email: info@barkbusters.net
Web: www.barkbusters.net

