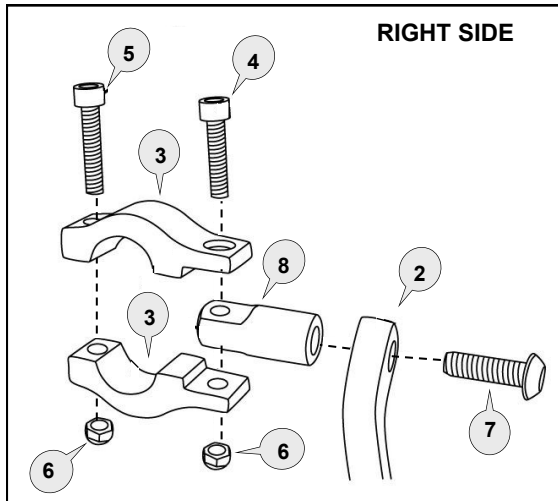


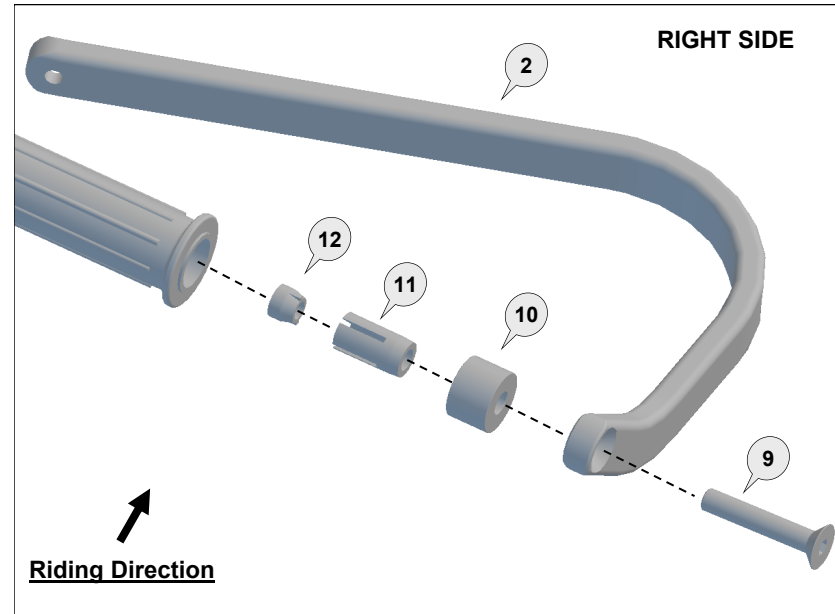
# Barkbusters

## FITTING INSTRUCTIONS for...

- KTM 1290 SUPER DUKE R ('14 on)



RIGHT SIDE



RIGHT SIDE

Riding Direction

### Fitting Tips:

If extra brake lever to backbone clearance is required, the brake master cylinder can be moved in along the handlebar by about 5mm.



### Preparation

Remove original handlebar end weights.

### Fitting Procedure

**Important :** There are rings machined into the inside of the tapered clamp surface to assist with a correct fit. The rings on both halves of the clamp should line up with each other and be positioned towards the centre of the motorcycle on the left and right side.

Loosely assemble clamp to handlebar as per diagram. Attach backbone with applicable parts to the handlebar and also to the clamp connector (8).

**Note:** Preferred backbone position is horizontal when viewed from side.

Tighten bolt (9) at the handlebar end.

Tighten Clamp bolts in the following order:

**Tighten bolt (7)** through the aluminium bar (1) or (2) to the swivel connector (8) of the clamp assembly.

**Tighten bolt (4)** to solidly lock the clamp connector (8) between the clamp saddles (3).

**Tighten bolt (5)** to secure the clamp assembly firmly to the handlebar.

**Note:** The clamp is designed to allow the nut (6) on bolt (4) to pull into the recessed hole.

This eliminates the need for a wrench after the bolt starts to tighten.

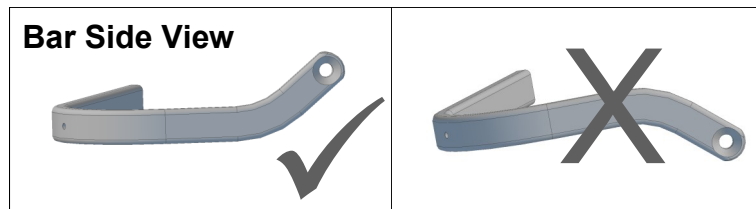
Use recommended torque specifications over page.

### Personalise Your Protection

Guard options sold separately

<b>JET</b>	JET-003
<b>VPS</b>	VPS-003
<b>Storm</b>	STM-003
<b>CARBON</b>	BCF-003

### Bar Side View



Phone: +61 (0)2 4271 8244  
Email: info@barkbusters.net

[www.barkbusters.net](http://www.barkbusters.net)

**1** Aluminium Bar



PN: BAR-BV034-L  
Pcs. 1 Left

**2** Aluminium Bar



PN: BAR-BV034-R  
Pcs. 1 Right

**3** Clamp Saddle



PN: CS-03  
Pcs. 2 Left & 2 Right

**4** Socket Head Bolt 25mm



PN: M6x25SHCSZP  
Pcs. 2

**5** Socket Head Bolt 30mm



PN: M6x30SHCSZP  
Pcs. 2

**6** Nylock Nut 6mm



PN: M6LN  
Pcs. 4

**7** Button Head Bolt 25mm



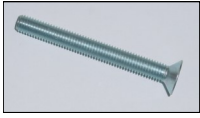
PN: M8x25BHCSZP  
Pcs. 2

**8** Clamp Connector 65mm



PN: CP2  
Pcs. 2

**9** Flat Head Bolt 60mm



PN: M8x60FHCSZP-FT  
Pcs. 2

**10** Spacer 15mm




PN: SP22  
Pcs. 2

**11** Expander



PN: BBE14A  
Pcs. 2

**12** Taper Nut



PN: NUT12  
Pcs. 2

Recommended Torque Settings	
M6	10 Nm (7.4 lbf ft)
M8	20 Nm (14.8 lbf ft)

**CAUTION:**

Installation of the handguard is safety-relevant work and can be complicated. We recommend the installation be performed by a motorcycle service technician. Rideworx accepts no liability for damages caused by improper mounting. All screws, bolts and nuts, including all replacement hardware provided by Rideworx, should be tightened to the torque specified in the below table. After the first 50km of riding check all screws, bolts and nuts are tightened to the correct torque. We recommend a medium strength liquid thread lock product on all fasteners.

**WARNING:**

It is important there is a working clearance (approx 3mm) between the throttle grip end and the handguard to ensure a free closing throttle. Check operation of all handlebar controls, specifically the throttle, front brake, kill switch and clutch to ensure they are operating correctly and are in accordance with the OEM specifications. Do not ride the motorcycle if any controls are not operating correctly. Check periodically that all bolts are tight.



Phone: +61 (0)2 4271 8244  
Email: info@barkbusters.net  
Web: www.barkbusters.net



**Disclaimer:**

A failure to follow these fitting instructions could cause serious injury, death or property damage. These handguards are intended solely for use with motorcycles/ATV/snowmobiles/scooters that have not been modified. They are not designed to prevent injury or death while riding or in an accident or crash. The user must ensure that all controls are free of the handguards every time that they ride. By installing and/or using this product you acknowledge that you accept these terms and have followed the fitting instructions.